

# SPIROL®

## Standard Machine Tables

**SPIROL** machine tables are designed to provide a rigid, heavy duty base for feeders, tracks and any additional auxiliary equipment. Rigidity and mass are important since secondary vibration reduces the efficiency and effectiveness of the feeders.

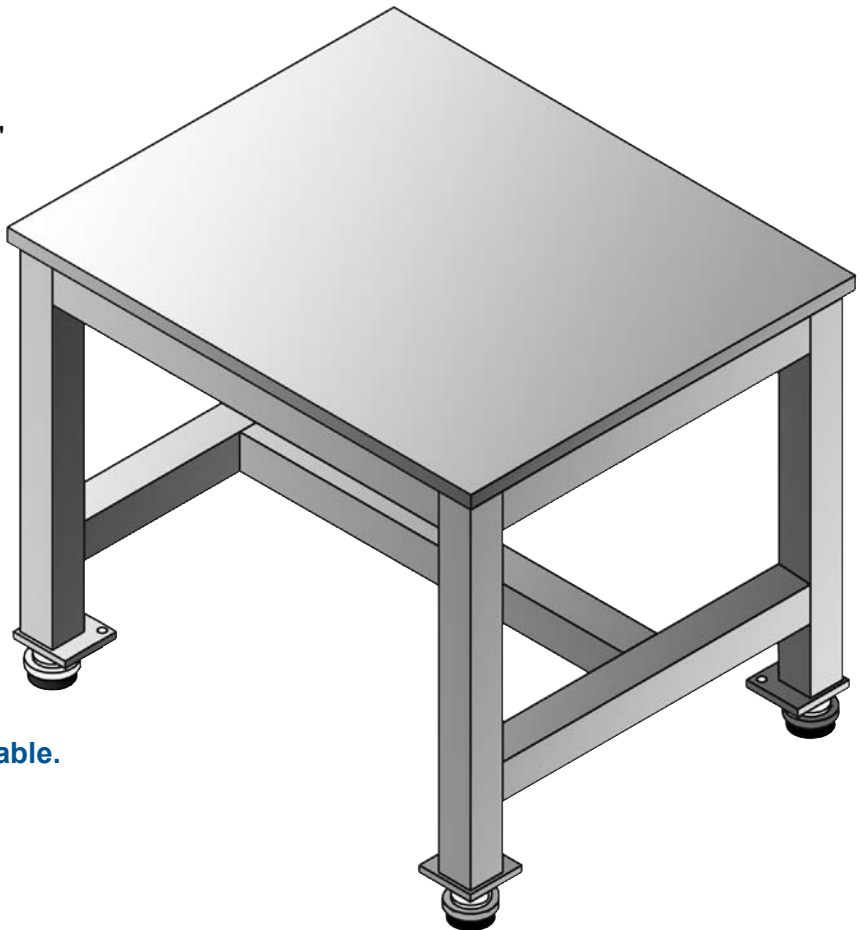
The tables are also ideal bases for **SPIROL® Pin Inserters**, **Insert Drivers** and other assembly modules.

### FEATURES

- ⊙ M.I.G. welded frames of 2-1/2" square 1/4" gauge structural tubing
- ⊙ Precision ground top plates welded to frames
- ⊙ Leveling feet with 3/4" screws and jam nuts
- ⊙ Cross-bracing to accommodate lift trucks

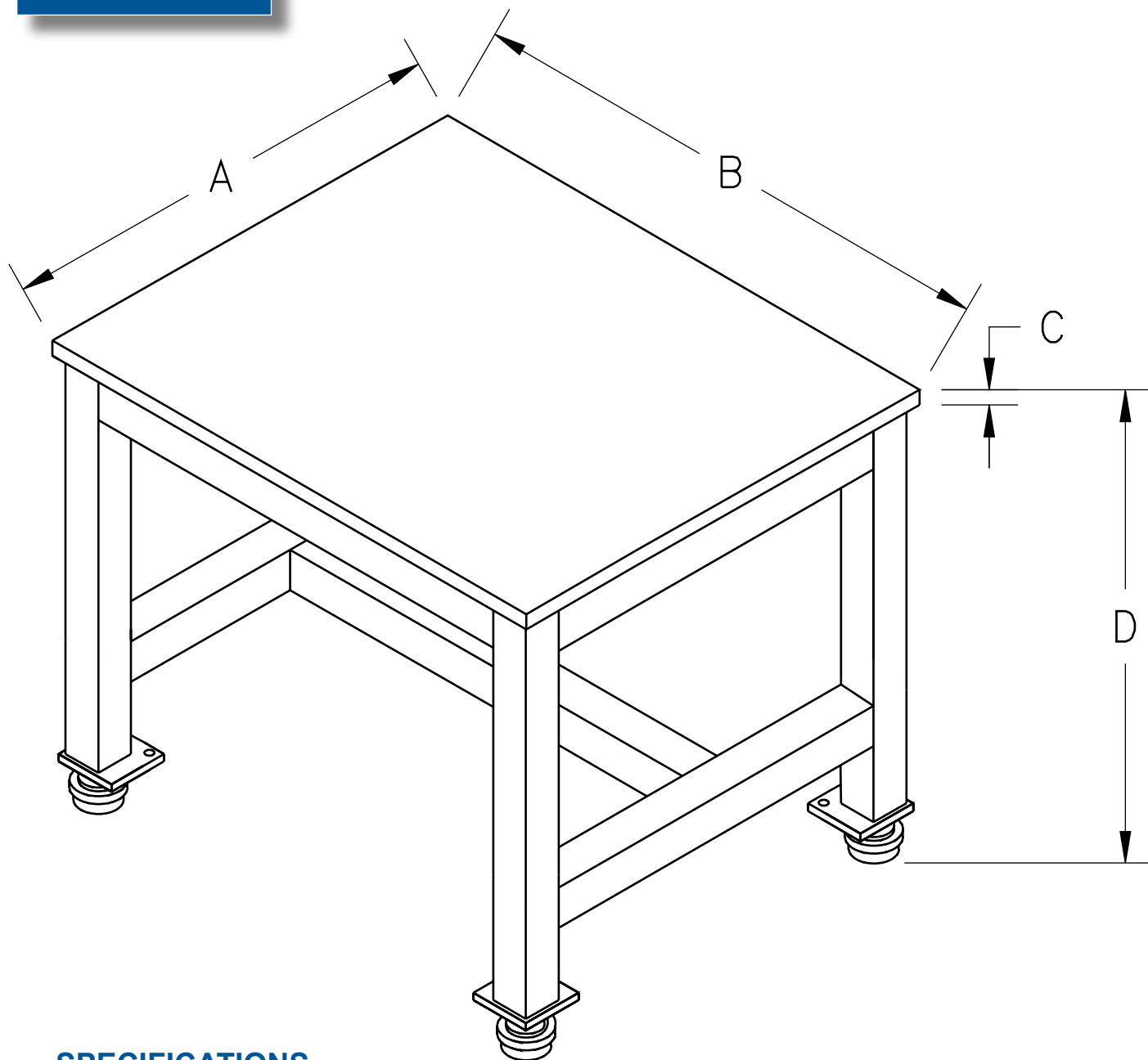
**The tables are available in standard sizes for quick delivery.**

**Special sizes to meet specific needs are also readily available.**





# Standard Machine Tables



## SPECIFICATIONS

A	B	C	D	ITEM NUMBER	DRAWING NUMBER	WEIGHT (LBS.)
24"	24"	1"	32"	169090-000	EP-58012	335
24"	36"			169091-000		445
30"	36"			169092-000		520
30"	48"			169093-000		650
36"	36"			169094-000		600
36"	48"			169095-000		750
48"	48"	1.5"	169096-000	1300		
48"	60"		169097-000	1580		

# SPIROL®

Innovative fastening solutions.  
Lower assembly costs.



## Challenge Us!

**SPIROL** Application Engineers will review your application needs and work with your design team to recommend the best solution. One way to start the process is to visit our **Optimal Application Engineering** portal at [www.SPIROL.com](http://www.SPIROL.com).

**U.S.A. Spirol International Corporation**  
30 Rock Avenue  
Danielson, Connecticut 06239  
Tel. +1 (1) 860.774.8571  
Fax. +1 (1) 860.774.2048

**Spirol West Inc.**  
1950 Compton Avenue, Unit 111  
Corona, California 92881-6471  
Tel. +1 (1) 951.273.5900  
Fax. +1 (1) 951.273.5907

**Spirol International Corporation  
Shim Division**  
321 Remington Road  
Stow, Ohio 44224  
Tel. +1 (1) 330.920.3655  
Fax. +1 (1) 330.920.3659

**Spirol Distribution**  
(For Distributor Customers)  
30 Rock Avenue  
Danielson, Connecticut 06239  
Tel. +1 (1) 860.774.8571  
Fax. +1 (1) 860.774.0487

**Canada Spirol Industries, Ltd.**  
3103 St. Etienne Boulevard  
Windsor, Ontario  
Canada N8W 5B1  
Tel. +1 (1) 519.974.3334  
Fax. +1 (1) 519.974.6550

**Mexico Spirol México, S.A. de C.V.**  
Carretera a Laredo KM 16.5 Interior E  
Col. Moisés Saenz  
Apodaca, N.L. 66613 México  
ó Apdo. Postal 151 de Apodaca, N.L.  
Tel. +52 (01) 81 8385 4390  
Fax. +52 (01) 81 8385 4391

**Europe Spirol Industries, Ltd.**  
Princewood Road  
Corby, Northants  
England NN17 4ET  
Tel. +44 (0) 1536 444800  
Fax. +44 (0) 1536 203415  
(UK Distributors: Tel. 0800 3890034)

**Spirol SAS**  
Rue Henri Rol Tanguy  
Z.A. Les Naux  
51450 Bétheny - Reims  
France  
Tel. +33 (0) 3 26 36 31 42  
Fax. +33 (0) 3 26 09 19 76

**Spirol GmbH**  
Briener Strasse 9  
80333 Munich  
Germany  
Tel. +49 (0) 931 454 670 74  
Fax. +49 (0) 931 454 670 75

**Asia Pacific Spirol International Engineered  
Fastener Trading Co. Ltd.**  
No. 11 Xi Ya Rd. North  
Section A, 1F, Building 14  
Wai Gao Qiao Free Trade Zone  
Shanghai, China 200131  
Tel. +86 (0) 21 5046-1451/1452  
Fax. +86 (0) 21 5046-1540

e-mail: [info@spirol.com](mailto:info@spirol.com)

[www.SPIROL.com](http://www.SPIROL.com)